

Maintaining Min. bend radius of cables

## Snap-mount winding guide for optical fiber cables

### Features

- Long optical fiber cables are kept in place by bending with no damage applied.
- Can be used in combination with WS and/or LWS.



Snap Mounting



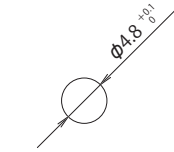
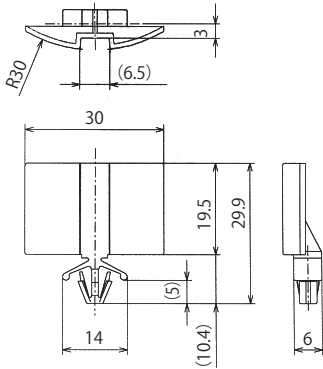
Round hole

### Material

- Nylon 66 (Color : Natural)

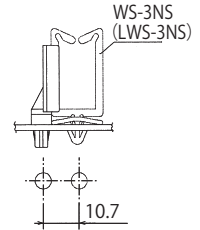
UL94 V-2

### Specification drawing



Panel thickness : 0.8~2.0

### Reference specification



Part No.	Mounting hole size	Panel thickness	Std. Package
WSW-3	$\phi 4.8^{+0.1}$	0.8~2.0	100 pcs.

(Unit : mm)