



Snap-mount spacer and locking clamp

Features

- Lock secures wire/cable bundles.
- Inner spring fastens wires firmly.



Snap Mounting



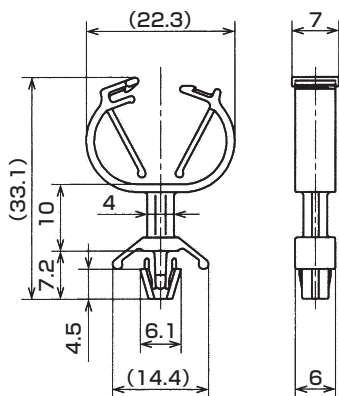
Round hole

Material

- Nylon 66 (Color : Natural)

UL94 V-2(V-0*)

※ For V0 type, "V0" is added to the end of the part No.
(With regard to lot size and lead time, please contact us.)



Part No.	Applicable bundle diameter	Mounting hole size	Panel thickness	Std. Package
VSC-10	φ9~12	φ4.8 ^{+0.2} ₀	0.5~2.3	500 pcs.



UL ...UL1565 recognized product

(Unit : mm)