

PCB guide for limited space

Features

- Low-cost and space saving card guide.
- Reusable type, requires no tools for mount/dis-mounting.

Material

- Nylon 66 (Color : Natural)



**Snap Mounting**  
UEGR-※※-0  
UEGR-08Y, RUEGR-08Y-V0



**Round hole**



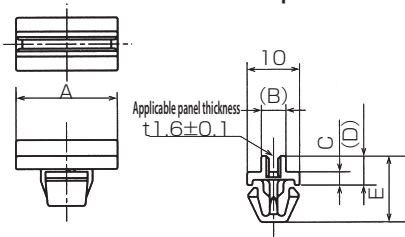
**Slide Type**  
RUEGR-08Y-V0



**Odd-shaped hole**

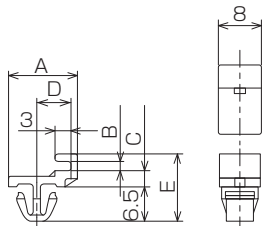
UEGR-※※-0

For mounting on vertical plane

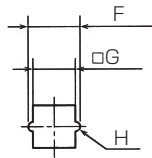


UEGR-08Y

For mounting on horizontal plane



Specification drawing



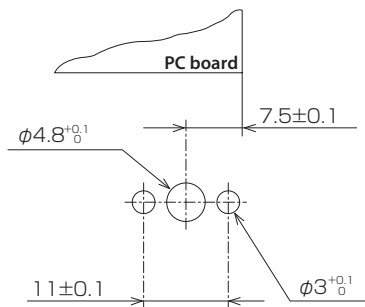
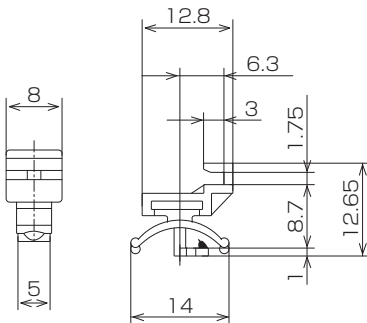
Part No.	A	B	C	D	E	F	G	H	Panel thickness	Std. Package
UEGR-08-0	8	5.5	1.6	4.6	10.1	7.1 <sup>+0.1</sup> <sub>0</sub>	□5.5 <sup>+0.1</sup> <sub>0</sub>	R0.8	1~2	1,000 pcs.
UEGR-19-0	19	4.7	2.5	5.5	12.5	9.8 <sup>+0.1</sup> <sub>0</sub>	□8 <sup>+0.1</sup> <sub>0</sub>	R0.9	0.8~1.2	
UEGR-08Y	12.8	1.6	3.0	6.3	12.5	7.1 <sup>+0.1</sup> <sub>0</sub>	□5.5 <sup>+0.1</sup> <sub>0</sub>	R0.8	1.5±0.1	500 pcs.

(Unit : mm)

RUEGR-08Y-V0



Specification drawing



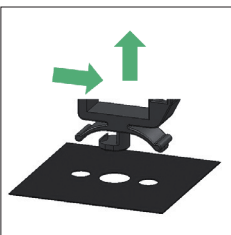
Part No.	Panel thickness	Std. Package
RUEGR-08Y-V0	0.8~2.0	1,000 pcs.

(Unit : mm)



Slide and remove

Reusable Snap (Slide type)



Easy Operation!

Simply slide the body to install and remove.

Space saving

Greatly reduces the snap protrusion on the underside of PCB

Also suitable for application in limited spaces.

Round hole mounting



No odd-shaped hole required  
Drilling 3 holes only.