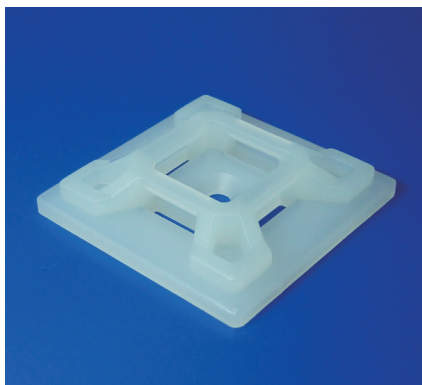


Cable tie mount with adhesive or screw-mount options



Features

- Can be mounted with either screw or adhesive tape.
- Cable tie can enter from any of four directions.

Material

- Nylon 66 (Color : Natural)

UL94 V-2

(Resin portion of the body)

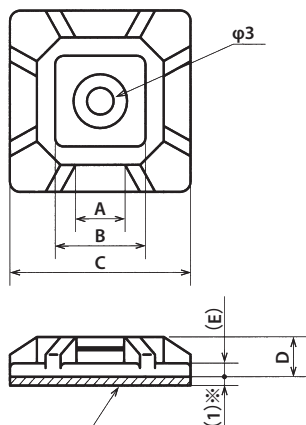


Adhesive tape mounting



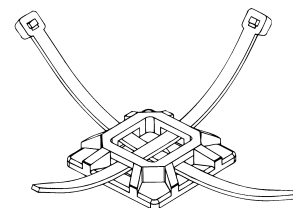
Screw mounting

(Screw type has "No adhesive backing" at the end of Part No.)



Double sided adhesive tape

(TMS-20-R • TMS-30-R) ※ 1.3mm for TMS-30-R.



Part No.	A	B	C	D	(E)	Screw (Small flat head screw)	Cable tie	Std. Package
TMS-20-R	5.2	10.0	20.0	4.5	1.5	—	Width Max 5.0 Thickness Max. 1.5	200 pcs.
TMS-20 No adhesive backing						M2.5		
A TMS-30-R	8.2	12.0	30.0	6.0	2.0	—	Width Max 8.0 Thickness Max. 2.0	
TMS-30 No adhesive backing						M2.5~M3		

(Unit : mm)