

Space-saving, Reusable cable tie for $\phi 1 \sim 15\text{mm}$ bundles

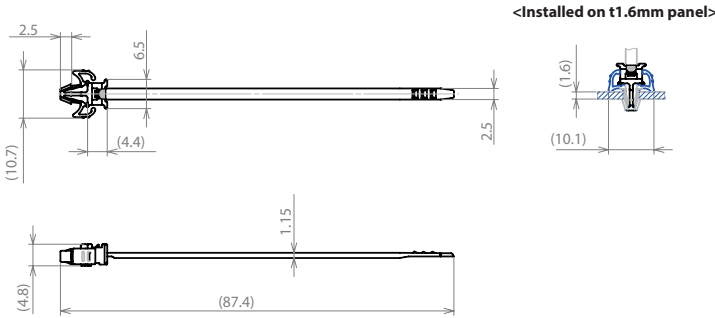
Features

- Even 1mm diameter (ϕ) wire / cable can be fixed firmly.
- Installable on $\phi 3.5$ mm holes.
- Snap is easily pinched with fingers for removal. No need to cut the band for maintenance and helps reduce waste.

Material

- PA66 (UL94 V-0) (Color : Natural)

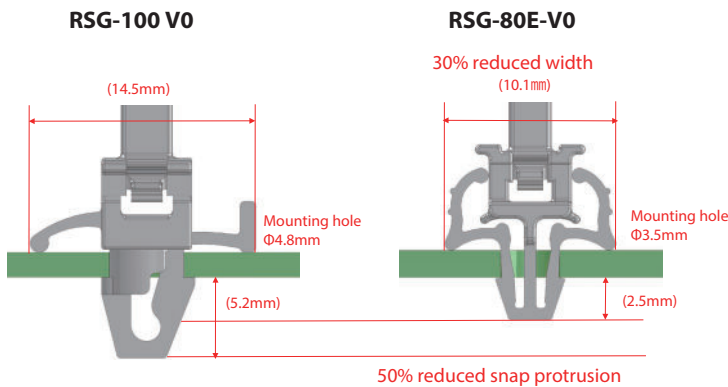
Dimensions



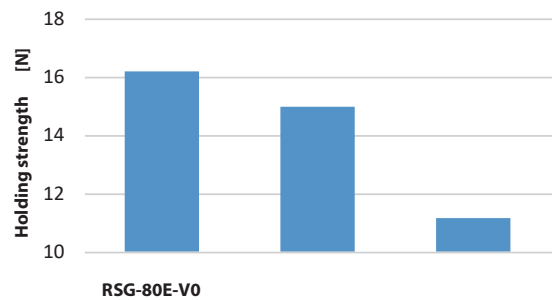
Specifications

Material	PA66(UL94 V-0)
Mounting hole dia.	$\Phi 3.5+0.2/-0.05$ mm
Panel thickness	t0.5 ~ 1.6 mm
Applicable bundle dia.	$\Phi 1 \sim 15$ mm
Loop bundle strength	80N or more
Operating temperature range	-20 ~ 95°C

Size comparison with existing product



Comparison of wire holding strengths



● The specifications are for reference only, and not a guarantee. Information may change without notice.
 ● Any reprinting or copying of content in this document is prohibited without our prior consent.