



Releasable snap-mount spacer clamp

Features

- Spacing and clamping of cables.
- Detachable snap for easy maintenance and disassembling.



Push Type

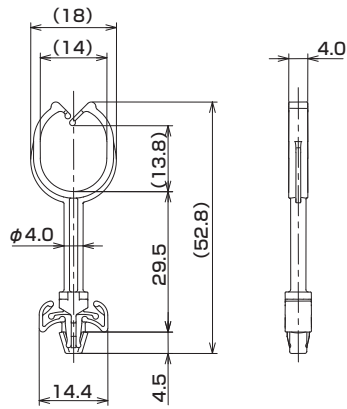


Round hole

Material

- Nylon 66 (Color : Natural)

UL94 V-0



Part No.	Mounting hole size	Panel thickness	Std. Package
RHL-28E-V0	$\phi 4.8^{+0.2}_0$	0.5~1.6	1,000 pcs.

(Unit : mm)

For Cables

For Flat Cables

Removal prevention for
connectors

For Optical fibers