

PCB spacer that enables easy PCB / chassis release

Features

- Space-saving, sub-PCB holder for installation on chassis or main-PCB.
- Sub-PCB can be removed due to the locking mechanism.
- Detachable holder requires no tools for maintenance and disassembling.

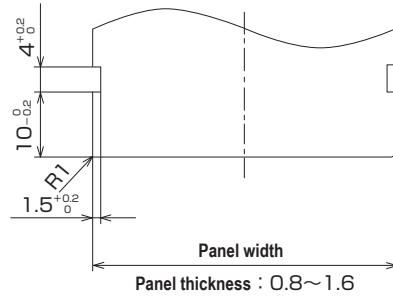


Material

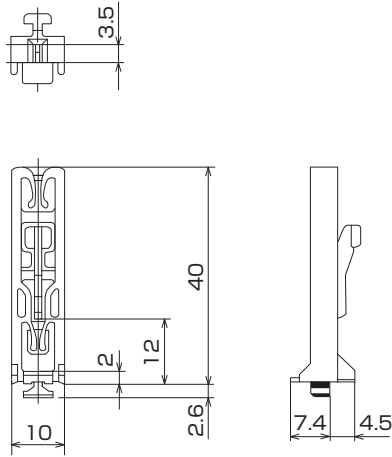
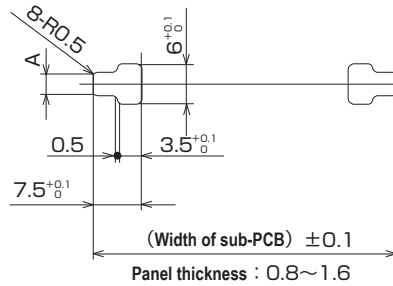
- Nylon 66 (Color : Natural)

UL94 V-0

Specification drawing for sub-PCB



Specification drawing



(Unit : mm)

Std. Package : 250pcs.

Part No.	Panel thickness	A	Std. Package
RCH-40-V0	0.8 ^{+0.1} ₀	2.0 ^{+0.1} ₀	250 pcs.
	1±0.1	2.6 ^{+0.1} ₀	
	1.2±0.1	3.2 ^{+0.1} ₀	
	1.4±0.1	3.8 ^{+0.1} ₀	
	1.6 ⁻⁰ _{-0.1}	4.4 ^{+0.1} ₀	

(Unit : mm)