



Round inner corners also suitable for halogen-free cables

## Adhesive locking cable clamp

### Features

- Lock fastens and releases cables quickly.
- Round inner corners also suitable for halogen-free cables

### Material

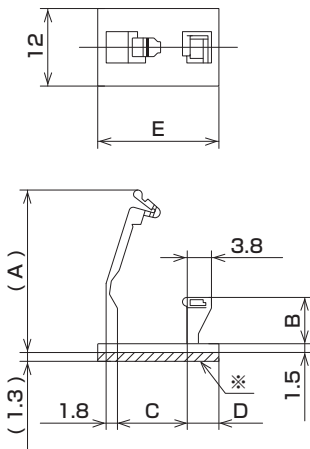
- Nylon 66 (Color : Black)

UL94 V-0



Adhesive tape mounting

※With regard to adhered body which is covered by UL1565, please contact our sales department.



※ Double sided adhesive tape

Part No.	(A)	B	C	D	E	Std. Package
RBWS-05M-V0 BK-R	18.3	4.9	7.0	3.7	13.0	100 pcs.
RBWS-1M-V0 BK-R	23.1		11.0	5.0	19.0	
RBWS-2M-V0 BK-R	25.6	7.4				
RBWS-3M-V0 BK-R	28.1	9.9				

Part No.	(A)	B	C	D	E	Std. Package
RBWS-1WM-V0 BK-R	27.0	4.9	15.0	4.2	22.0	100 pcs.
RBWS-2WM-V0 BK-R	29.5	7.4				

UL ...UL1565 recognized product

(Unit : mm)