



Releasable, adjustable snap-mount clamp that prevents power cord from unplugging

**Features**

- Prevents power sockets from being removed from inlets.
- Easy detachable, reusable structure enables improved maintenance and disassembly with no tools.



Snap Mounting



Round hole

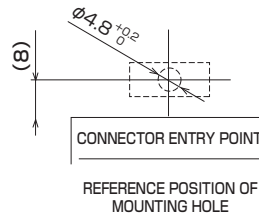
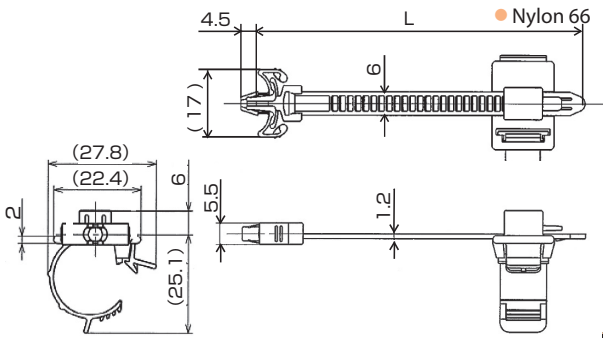
**Material**

● Nylon 66 (Color : Black)

UL94 V-2 : RACCD86-276AS

UL94 V-0 : RACCD86-236AS

Specification drawing



Part No.	Length	Bundle diameter	Panel thickness	Std. Package
RACCD86-236AS	84.5	φ11~13.5	0.5~2.0	100 pcs.
RACCD86-276AS	118.5			

(Unit : mm)