

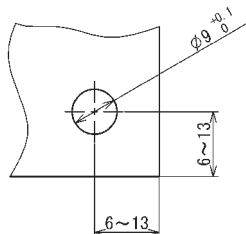
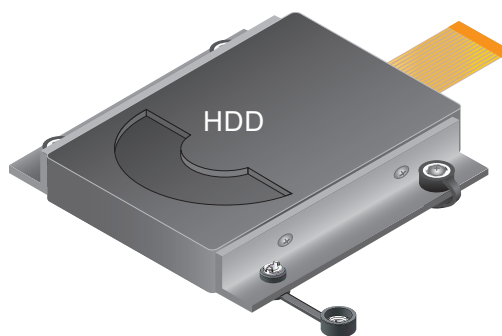
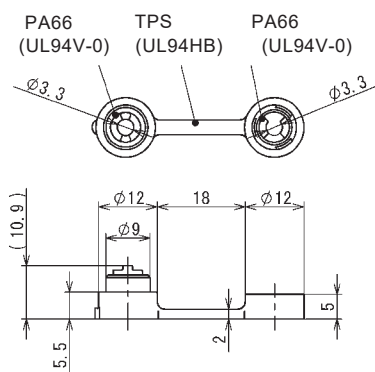
One touch Vibration Damper effective for Low-frequency



- It is effective for Low-frequency compared with an ordinary rubber damper.
 - No sleeves and washers are needed. It enables to reduce the number of components.
- (Only used M3-sized screw to mount. / Shoulder screw isn't needed.)

Functional Materials (Impact buffering, vibration and noises

Specifications

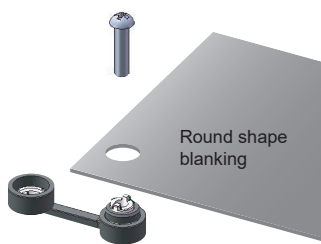


Panel thickness $t=1\pm 0.1\text{mm}$

Solution

Component Qty 2pcs.
→ 50%Down

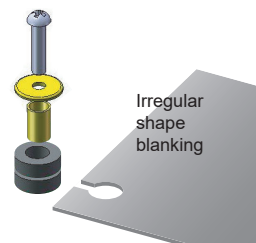
- Screw 1pcs.
- OTVD 1pcs.



Past assembly

Component Qty 4pcs.

- Screw 1pcs.
- Washer 1pcs.
- Sleeve 1pcs.
- Bush 1pcs.



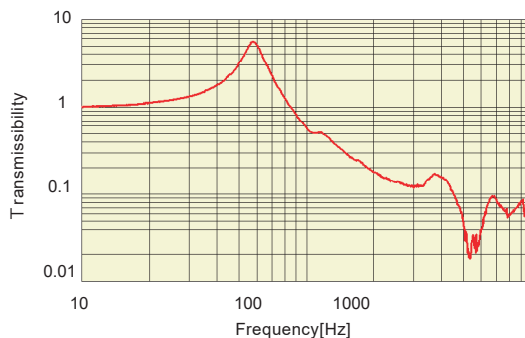
Material

Standard Products

Properties

Vibration transmission

Testing condition
Sample: $t=3\text{mm}$
Load : 400 g
Support point number :
Four point mounting
Acceleration : 0.4G



Please contact our sales department for installation instructions (precautions) before use. Also please confirm precautions described on the beginning page of the brochure.