

SIDE CONTACT / OGSC-(T)(B)-302020

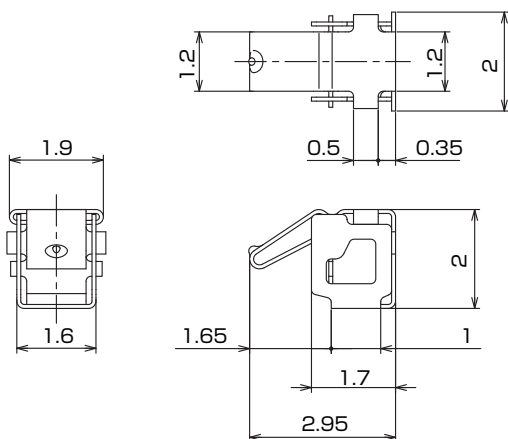


Side contact for perpendicular grounding

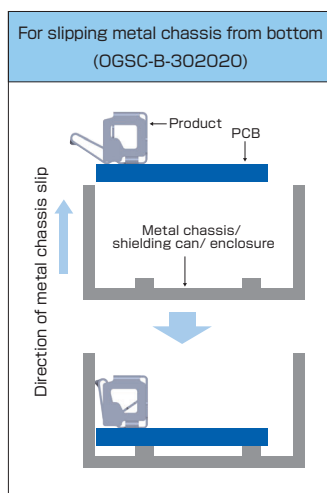
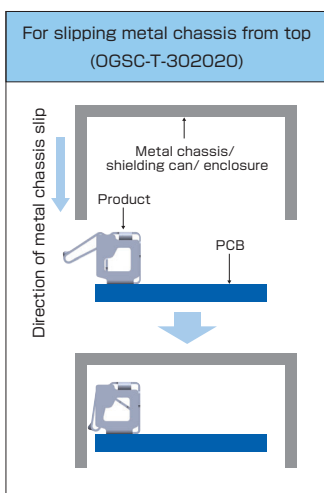
- Ideal for applications where standard grounding between parallel boards/chassis is not possible
- Due to low profile design (2mm), it's suitable for small electronic devices
- Operating temperature: $-40 \sim 125^{\circ}\text{C}$

■ Specification

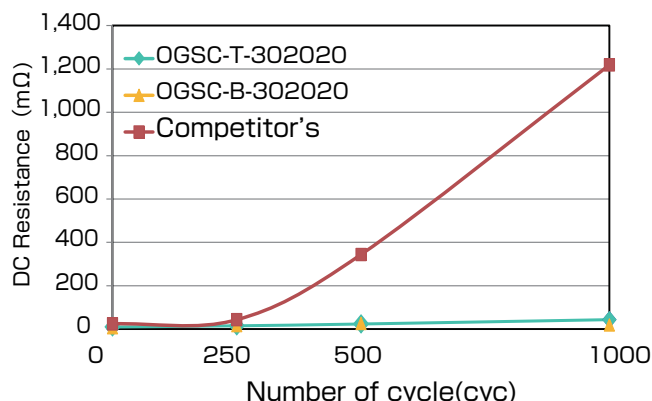
● Dimensions



Item	OGSC-T-302020	OGSC-B-302020
Applications	Ground contact for SMD	
Material	Corson alloy(t0.08mm)	
Surface treatment	Sn reflow plating (Underlying Cu plating)	
Recommended operating temperature range($^{\circ}\text{C}$)	$-40 \sim 125$	
Compression range(mm)	0.3 ~ 1.0	
Initial resistance (Ω)	≤ 0.05	
Initial compression force(N)	0.2 ~ 3.1	0.4 ~ 3.0



■ Heat cycle test



● All specifications and characteristics shown herein are typical values, but are not guaranteed.
 All specifications and characteristics shown herein are subject to change without notice for improvements or changes in specification.
 ● It is prohibited reprint of the article in this brochure without prior written consent by Kitagawa Industries Co., Ltd.

KGS KITAGAWA INDUSTRIES CO.,LTD.

KITAGAWA INDUSTRIES CO.,LTD.
 Tel: 81-587-34-3561 <http://www.kitagawa-ind.com>
KITAGAWA GmbH
 Tel: 49-6104-60009-0 <http://www.kitagawa.de>
KITAGAWA INDUSTRIES(TAIWAN)CO.,LTD.
 Tel: 886-2-2698-8833 <http://www.kgtw.com.tw>

KITAGAWA INDUSTRIES America, Inc.
 Tel: 1-408-971-2055 <http://www.kgs-ind.com>
KITAGAWA ELECTRONICS(SINGAPORE)PTE.LTD.
 Tel: 65-6560-6511 <http://www.kitagawa.com.sg>
KITAGAWA INDUSTRIES (H.K.) LIMITED
 Tel: 852-2612-1161 <http://www.kitagawa.com.hk>

SHANGHAI KITAGAWA INDUSTRIES CO.,LTD.
 Tel: 86-21-5865-2766
KITAGAWA ELECTRONICS(THAILAND)CO.,LTD.
 Tel: 66-35-350-201 <http://www.kitagawa-ind.com/thai/index.html>
KITAGAWA TECHNOLOGY(SHENZHEN)CO.,LTD.
 Tel: 86-0755-2396-3200