

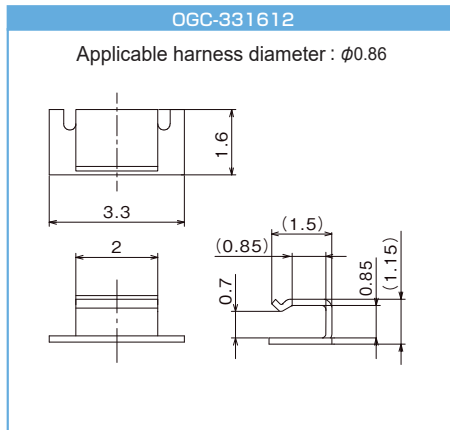
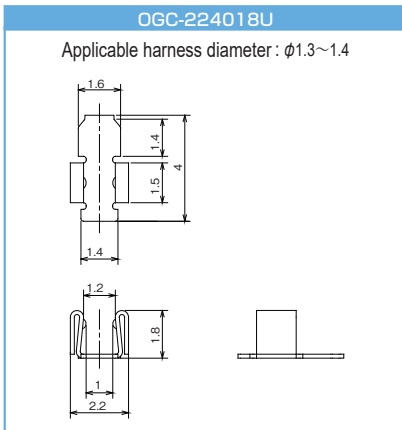
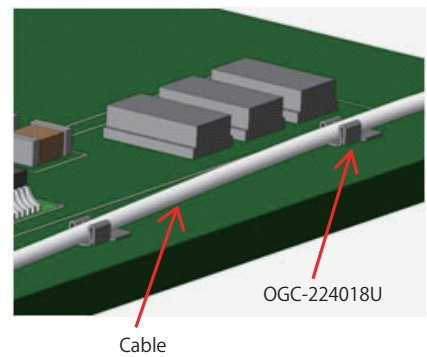
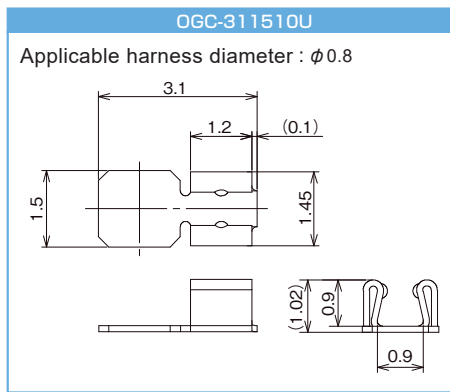
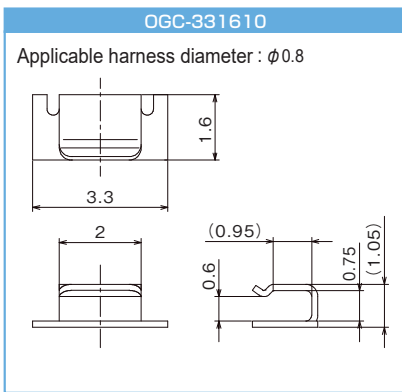
Compact cable clamp applicable to automated mounting on PC board.

### Feature

- Supporting wire harness on PC board.
- Side and top insertion types are available.
- Automated mounting and reflow soldering on PC board are applicable without boring.
- Wiring on PC board edges is available which brings space saving of equipment design.

### Material

- Phosphor bronze for spring (Sn reflow plating)



Unit : mm

※Please confirm "Notes for Onboard series" on page 2 prior to purchase.

Contacts

Grounding components

Clips

Clamps