

Clamp base for fastening member without mounting hole

Features

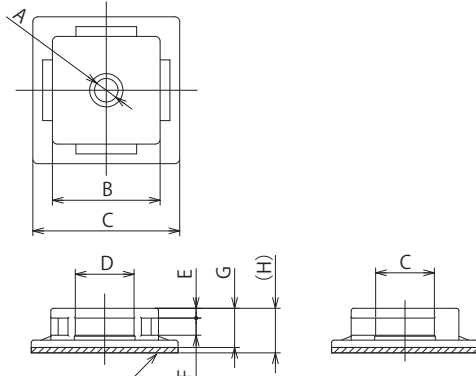
- Our fastener products are applicable fixing with the product.
- Hook and loop fastener applicable in both directions equipped for optical fiber bundle.

Material

- Nylon 66 (Color : Natural)

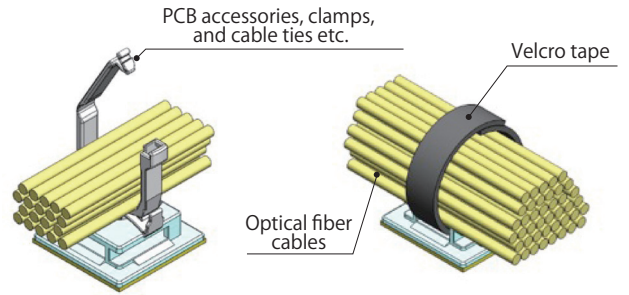
UL94 V-2

(Resin portion of the body)



Double sided adhesive tape

Application examples



| Part No. | A | B | C | D | E | F | G | (H) | Applicable fastener specifications | | | Std. Package |
|------------|-----|----|----|----|---|-----|---|-----|------------------------------------|------------------------|-----------------|--------------|
| | | | | | | | | | Cable tie Thickness | Mounting hole diameter | Panel thickness | |
| OFTMS-30-R | 4.8 | 22 | 30 | 12 | 2 | 3.5 | 8 | 9.1 | ≤2.0 | φ4.8 | 2.0 | 100 pcs. |

(Unit : mm)