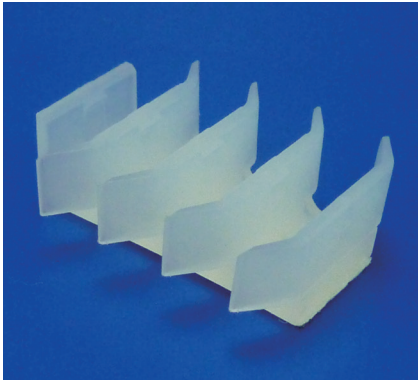


## Adhesive-mount clip for optical fiber sleeve to hold and support cables



### Features

- Can hold 4 cables of  $\Phi 3 \sim 4$ mm.
- As well as up to four CS sleeves of  $\Phi 3 \sim 4$ mm.

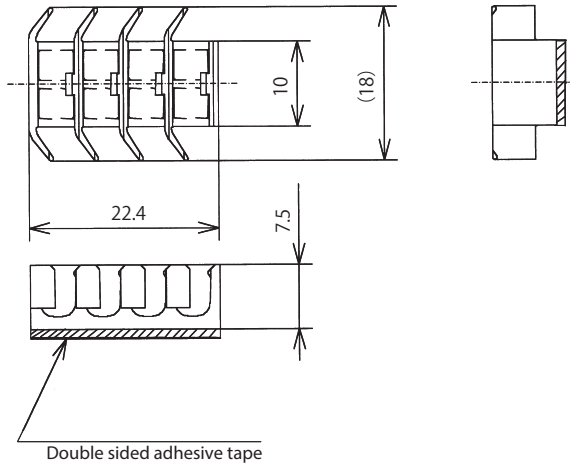


Adhesive tape mounting

### Material

- Nylon 66 (Color : Natural)

UL94 V-2



Part No.	Std. Package
OFSH-4004A	100 pcs.

(Unit : mm)