

Snap-mount clip for optical fiber cables

Features

- Holds cables in array.
- Up to 8 cables of $\Phi 2\text{mm}$ can be held.
- The structure minimizes the risk of damaging optical fibers when fastening and holding.

Material

- Nylon 66 (Color : Natural)



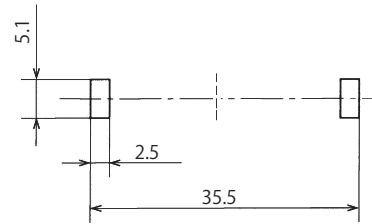
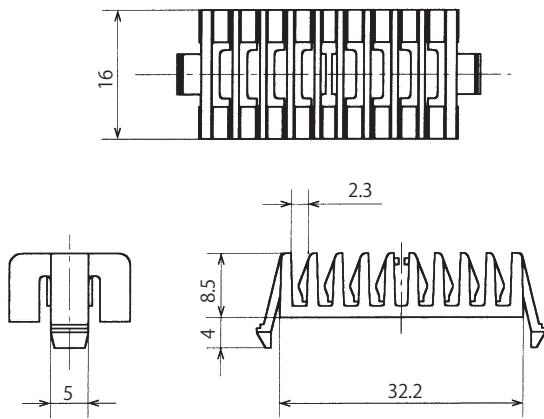
Snap Mounting



Odd-shaped hole

UL94 V-0

Specification drawing



Part No.	Mounting hole size	Panel thickness	Std. Package
OFHP-2008	Refer to Specification drawing	1~1.6	100 pcs.

(Unit : mm)