



It maintains safe radius for fibers extending from connector boot.

Features

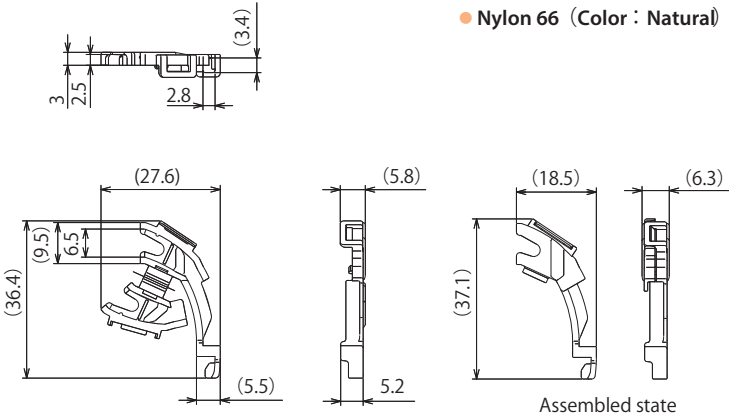
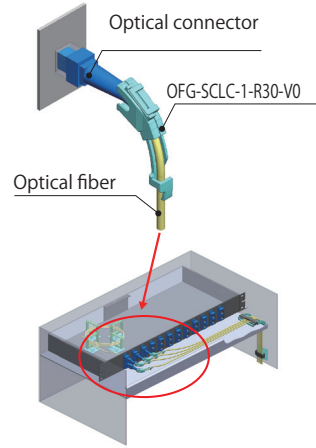
- The GUIDE maintains bend radius of 30 mm or more for optical fibers extending from connector boots.
- Applicable to both SC and LC connectors
- Downsized design is also applicable to LC duplex connectors.
- Lock structure prevents unfastening from the fibers.

Material

- Nylon 66 (Color : Natural)

UL94 V-0

Application examples



Part No.	Applicable connector	Std. Package
OFG-SCLC-1-R30-V0	SC Connector, LC Connector	100 pcs.

(Unit : mm)