

The guide retains the minimum bending radius for optical fibers

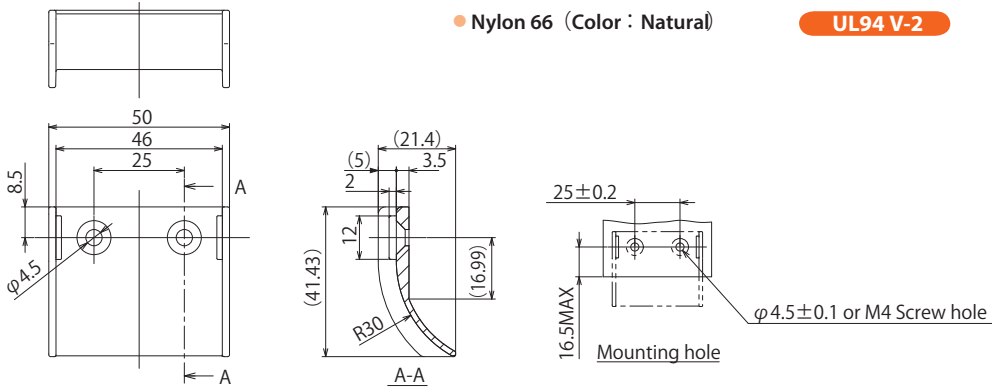
Features

- Optical fiber bending radius of 30 mm or higher can be retained.
- Hook and loop fastener applicable member is equipped for optical fiber bundle.
- The guide is fixable on a sheet metal with countersunk screws.

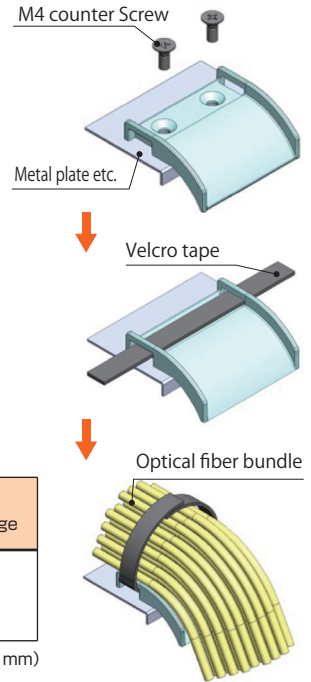
Material

- Nylon 66 (Color : Natural)

UL94 V-2



Application examples



| Part No. | Applicable velcro tape | | Applicable screw | Mounting hole size | Std. Package |
|--------------|------------------------|-----------|------------------|--------------------------------|--------------|
| | Width | Thickness | | | |
| OFG-5042-R30 | ≦10 | ≦2 | M4 counter screw | Refer to Specification drawing | 50 pcs. |

(Unit : mm)