



Adhesive-mount optical fiber holder capable of holding 2 cables at $\phi 7\text{mm}$ diam.each

Features

- Can hold up to 2 cables of $\phi 7\text{mm}$
- Accommodates optical branch modules in limited spaces. Holder prevents accidental release of modules.

Material

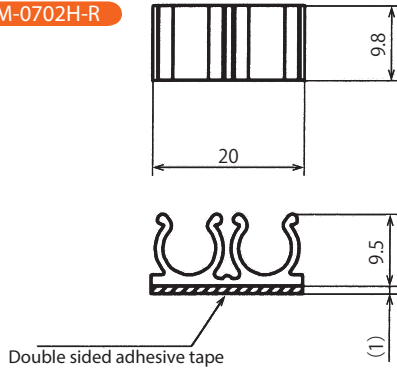
- Nylon 66 (Color : Natural)

UL94 V-2

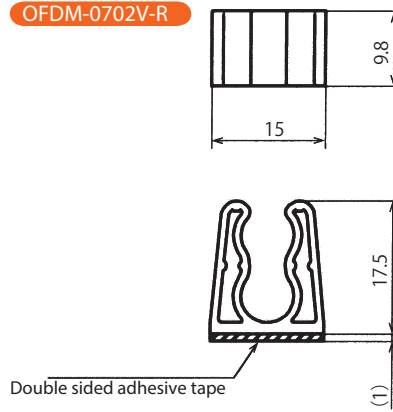


Adhesive tape mounting

OFDM-0702H-R



OFDM-0702V-R



Part No.	Std. Package
OFDM-0702H-R	100 pcs.
OFDM-0702V-R	

(Unit : mm)

For Cables

For Flat cables

Removal prevention for connectors

For Optical fibres