

Mini cable clamp in a variety of shapes

Features

- Space-saving mini clamp.
- Employs easy-to-peel adhesive tape type, with two clamps aligned on one tape.

Material

- Nylon 66 (Color : Natural)

UL94 V-2



Adhesive tape mounting

※ With regard to adhered body which is covered by UL1565, please contact our sales department.

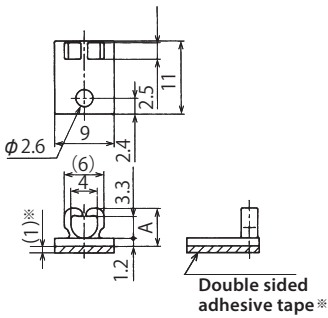


Screw mounting

※ Specifications are described in the tables below.

MN-1-R

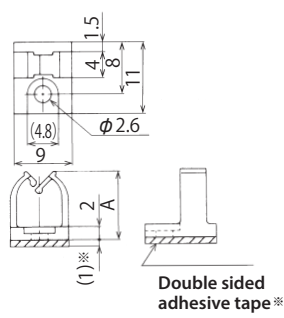
MB-1



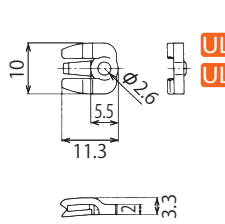
※ No adhesive backing for screw type

MN-2,3-R

MB-2,3



MNC-4



Tape mounting

Part No.	A	Std. Package
MN-1-R	5.7	500 pcs.
MN-2-R	8.5	
MN-3-R	10.5	500 pcs.

Screw mounting

Part No.	A	Screw	Std. Package
MB-1	5.7	M2.5	500 pcs.
MB-2	8.5		1,000 pcs.
MB-3	10.5		1,000 pcs.
MNC-4	—	M2.6	—

UL ...UL1565 recognized product

(Unit : mm)