

Snap-mount clip for flat cables

Features

- Compact clip for flat cables.
- Rotation stopper secures cables even if they slip.

Material

- Nylon 66 (Color : Natural)

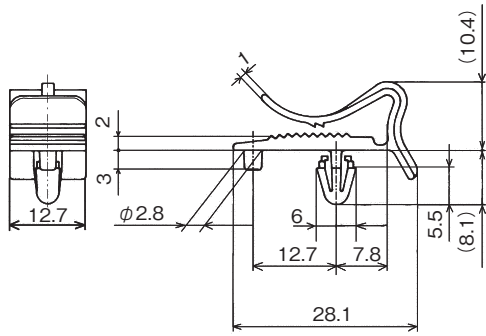
UL94 V-2



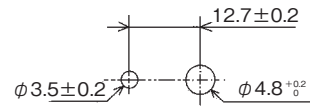
Snap Mounting



Round hole



Specification drawing



Part No.	Mounting hole size	Panel thickness	Std. Package
MFS-1000	Refer to Specification drawing	0.5~2.3	100 pcs.

For Cables

For Flat cables

Removal prevention for connectors

For Optical fibres