



### Adhesive-mount locking clamp

#### Features

- Lock holds cables securely.
- Adhesive tape mounting with no drilling hole required.



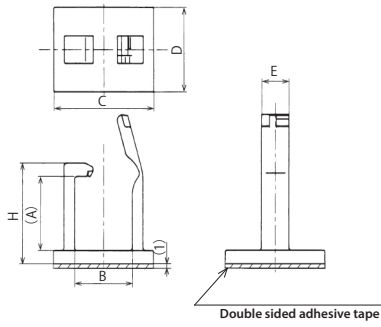
Adhesive tape mounting

#### Material

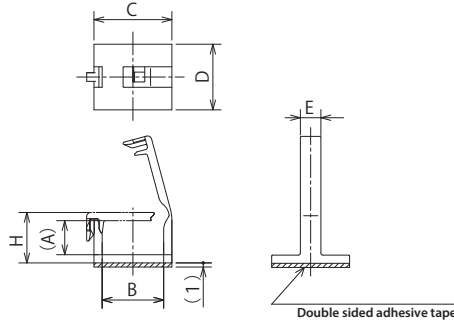
- Nylon 66 (Color : Natural)

UL94 V-2

#### LWS-M



#### LWS-1.5MS-R



Part No.	(A)	B	C	D	E	H	Std. Package
LWS-1M-R	8.0	11.7	19.0	16.0	4.8	12.5	100 pcs.
LWS-1.5MS-R	8.3	15.0	(19.0)		5.0	(12.3)	500 pcs.
LWS-2M-R	14.0	11.0	19.0	19.0	4.8	18.5	100 pcs.
LWS-3M-R	22.3		19.0		5.2	27.0	

(Unit : mm)

For Cables

For Flat Cables

Removal prevention for connectors

For Optical fibers