

Snap-mount flat cable clamp with base to secure cables directly on panel

Features

- Space-saving clamp holds down cables safely.

Material

- Nylon 66 (Color : Natural)

UL94 V-0

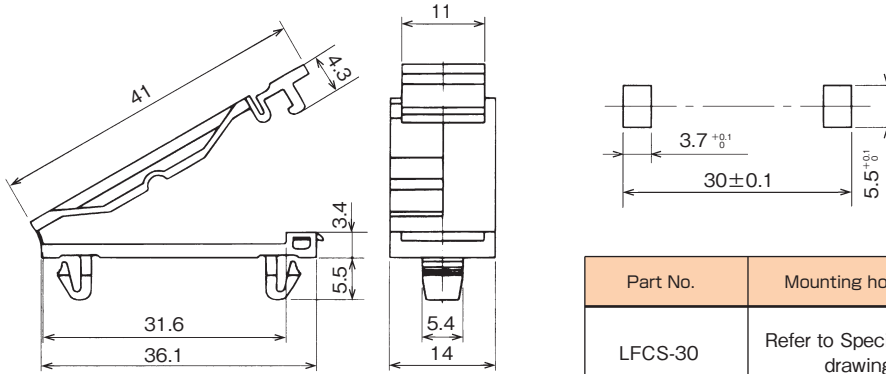


Snap Mounting



Odd-shaped hole

Specification drawing



Part No.	Mounting hole size	Panel thickness	Std. Package
LFCS-30	Refer to Specification drawing	1~1.8	100 pcs.

(Unit : mm)

For Cables

For Flat cables

Removal prevention for connectors

For Optical fibres