



## Push mount, locking clamp

### Features

- Compact, space-saving clamp.
- Clamp is open for cable insertion without causing any damage to cables such as optical fibers.



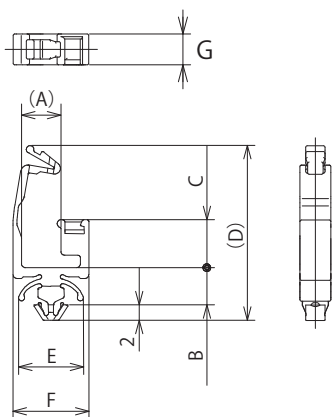
### Material

- Nylon 66 (Color : Natural / LBWS-0206S, 0605S, 0511S-V0)
- Nylon 66 (Color : Natural / LBWS-0206S-AM-HT-NC)

UL94 V-0

UL94 V-2

### LBWS



Part No.	A	B	C	(D)	E	F	G	Mounting hole size	Panel thickness	Std. Package
LBWS-0206S-V0	6.0	3.9	2.1	18.3	10.5	11.4	4.0	φ3.5 <sup>+0.2</sup> <sub>0</sub>	0.5~1.6	1,000 pcs.
LBWS-0206S-AM-HT-NC	6.0	3.9	2.1	18.3	10.5	11.4	4.0		0.5~1.6	500 pcs.
LBWS-0605S-V0	5.1	4.8	6.2	22.6	8.4	9.8	4.0		0.8~2.0	1,000 pcs.
LBWS-0511S-V0	11.7	3.9	5.0	26.8	12.5	16.4	4.5		0.5~1.6	

**UL** ...UL1565 recognized product

(Unit : mm)

※Operating temperature range : -40°C ~ 125°C (LBWS-0206S-AM-HT-NC)

For Cables

For Flat Cables

Removal prevention for  
connectors

For Optical fibers