



Snap-mount PCB spacer

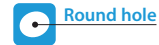
Features

- Provides simultaneous functions of spacing and supporting for PCB and chassis.

Material

- Nylon 66 (Color : Natural)

UL94 V-2(V-0<sup>○</sup>)

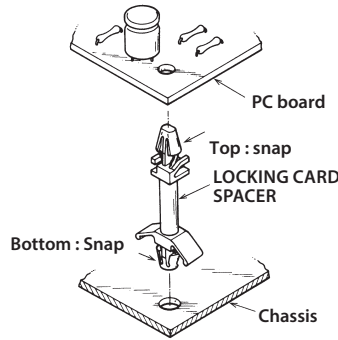
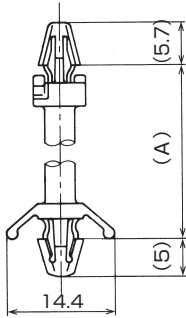


Can be used with KGPS-S series  
Supports heavily loaded PC boards at the middle of PCB

P5

For V0 type, "V0" is added to the end of the part No.  
(With regard to lot size and lead time, please contact us.)

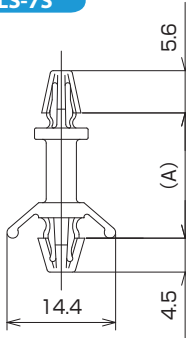
KGLS-S



Part No.	(A)	Mounting hole size	Panel thickness	Std. Package
KGLS-3S	9.8	Top $\phi 4^{+0.2}_0$	Top 1~2	100 pcs.
KGLS-4S	11.4			
KGLS-6S	14.4			
KGLS-8S	17.7			
KGLS-10S	20.9			
KGLS-12S	24.1	Bottom $\phi 4.8^{+0.2}_0$	Bottom 0.5~2.3	100 pcs.
KGLS-14S	27.2			
KGLS-16S	30.4			
KGLS-18S	33.6			
KGLS-22S	39.9			

(Unit : mm)

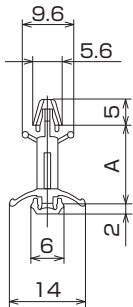
KGLS-7S



Part No.	(A)	Mounting hole size	Panel thickness	Std. Package
KGLS-7S	16.6	Top $\phi 4^{+0.2}_0$ Bottom $\phi 4.8^{+0.2}_0$	Top $\leq t1.8$ Bottom 0.5~2.3	1000 pcs.

(Unit : mm)

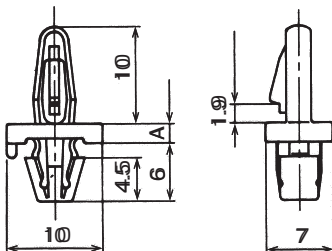
KLCS



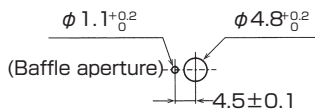
Part No.	A	Mounting hole size	Panel thickness	Std. Package
KLCS-4H	12.0	Top $\phi 4^{+0.2}_0$ Bottom $\phi 4.8^{+0.2}_0$	Top 1.2~1.6	100 pcs.
KLCS-6	14.4		Bottom 0.5~1	

(Unit : mm)

KGLS-1S



Specification drawing for bottom holes



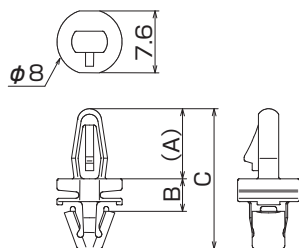
Part No.	A	Mounting hole size	Panel thickness	Std. Package
KGLS-1S	2.0	Top $\phi 4^{+0.2}_0$ Bottom $\phi 4.8^{+0.2}_0$	Top 1.7 Bottom $1.2^{+0.15}$	1000 pcs.

\*Baffle aperture is required.

(Unit : mm)

# LOCKING CARD SPACER /KGLS™-S·KLCS·KGSL-M

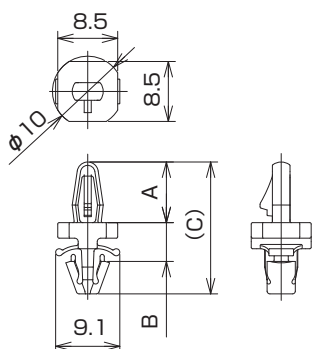
## KGSL-1M-V0



Part No.	(A)	B	C	Mounting hole size	Panel thickness	Std. Package
KGSL-1M-V0	8.6	4.0	17.2	Top $\phi 4^{+0.2}_0$ Bottom $\phi 4.8^{+0.2}_0$	Top $1.6 \pm 0.1$ Bottom $1 \pm 0.1$	1000 pcs.

(Unit : mm)

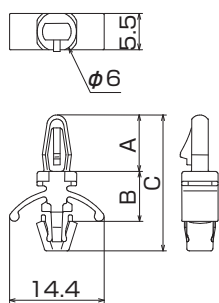
## KGSL-1.5M-V0



Part No.	A	B	(C)	Mounting hole size	Panel thickness	Std. Package
KGSL-1.5M-V0	8.6	5.5	18.7	Top $\phi 4 \pm 0.1$ Bottom $\phi 4.8^{+0.2}_0$	Top $1.6 \sim t1.8$ Bottom $1.0 \sim 1.6$	1000 pcs.

(Unit : mm)

## KGSL-※M-V0



Part No.	A	B	C	Mounting hole size	Panel thickness	Std. Package
KGSL-2M-V0	8.6	7.6	20.7	Top $\phi 4^{+0.2}_0$ Bottom $\phi 4.8^{+0.2}_0$	Top $1.6 \pm 0.1$ Bottom $0.5 \sim 1.3$	1000 pcs.
KGSL-3M-V0		8.4	21.5			
KGSL-5M-V0		11.6	24.7			100 pcs.
KGSL-7M-V0		13.2	26.3			

(Unit : mm)