



Fluorocarbon resin, resistant to severe environment.

### UV and heat resistant fluoro resin clamp

#### Features

- Made of heat, weather, chemical and radiation resistant fluorocarbon resin.

#### Material

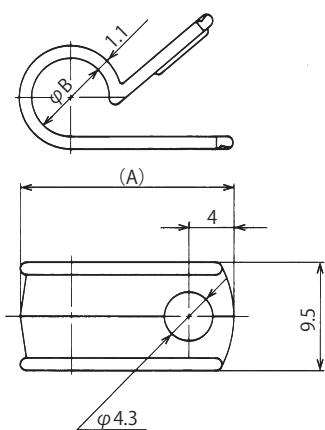
- ETFE (Color : Blue)



Screw mounting

(Applicable screw :  
Nominal diameter 4mm )

UL94 V-0



Part No.	(A)	φB	Max bundle diameter	Std. Package
KCA-34	17.5	5.1	φ4.3	100 pcs.
KCA-44	19.0	6.9	φ5.9	
KCA-54	20.9	8.8	φ7.5	
KCA-64	23.7	10.8	φ9.1	

(Unit : mm)

Wiring Clamps

For Cables

For Flat Cables

Removal prevention for connectors

For Optical fibers