

## Snap-mount spacer clamp

### Features

- Dual function, spacing and clamping.



Snap Mounting



Round hole

### Material

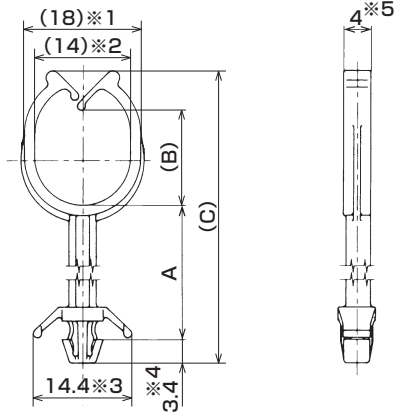
- Nylon 6<sup>\*1</sup> (Color : Natural)

**UL94 V-2 (V-0<sup>\*2</sup>)**

\*1 HL-26L is made of Nylon 66

\*2 For V0 type, "V0" is added to the end of the part No.

(With regard to lot size and lead time, please contact us.)



Part No.	A	(B)	(C)	Mounting hole size	Panel thickness	Std. Package
HL-18-0	19.5	13.8	41.7	$\phi 4.8^{+0.1}_0$	0.5~2.3	1,000 pcs.
HL-28-0	29.5		51.7			100 pcs.
HL-38-0	39.5		62.4			1,000 pcs.
HL-26L*	27.7	16.9	57.2		0.8~2.0	100 pcs.

...UL1565 recognized product

(Unit : mm)

\* HL-26L has a slightly different configuration from the others.

\*1 : (23) \*2 : (14) \*3 : 17.8 \*4 : 4.9 \*5 : 5