



PCB guide with end-stopper that prevents sliding

Features

- Stopper prevents PCB from undesired removal.
- Can hold 60 and 110 mm PCB by using NYLON RIVET (P30) in the middle of the guide.
- PCB can be removed with one hand using a special ejector.

Material

- Noryl (Color : Black)

UL94 V-0



Snap Mounting

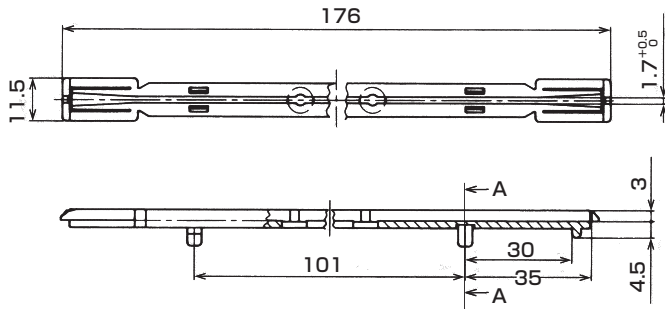


Odd-shaped hole

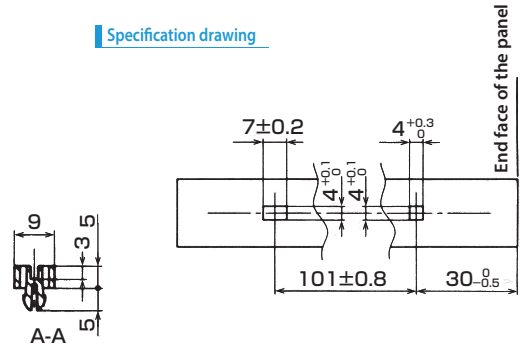


CBE-15  
Special ejector for  
the guide

Refer to the bottom column



Specification drawing



Part No.	Mounting hole size	Panel thickness	Std. Package
GR-170SS	Refer to Specification drawing	1.6±0.1	200 pcs.

(Unit : mm)