

### Winding optical fiber cable guide that combines with FXC

#### Features

- In combination with FXC, maintains minimum bend radius of cables when wiring.

#### Material

- Nylon 66 (Color : Natural)

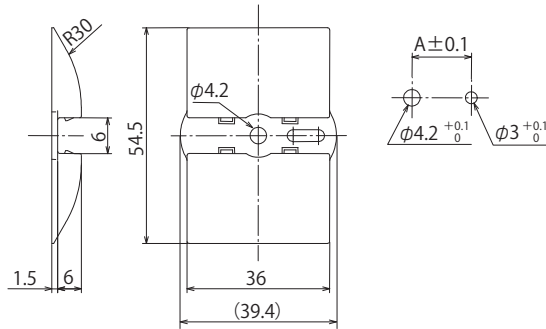
UL94 V-0



FXC  
Dedicated clamp for  
FXCW-6040-V0

▶ 60

#### Specification drawing



FXC Part No.	A
FXC-2030-V0	9
FXC-3240	15

(Unit : mm)

※ For details, please contact our sales department.

### FLEXIBLE CLAMP / FXC

▶ P60

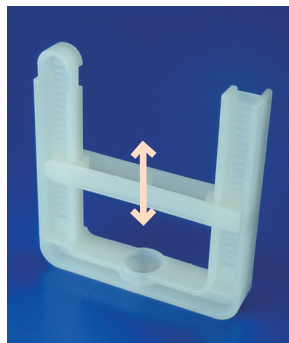
- Number of cables can be adjusted over a wide range.
- Quick operation with one hand.

#### Material

- Nylon 66 (Color : Natural)

UL94 V-2

UL94 V-0



### FK DUCT / FKD

▶ P107

- Holds cables and allows them to bend in all 3D directions without causing damage.

#### Material

- FKD-10 / Nylon 6 (Color : Light gray)
- FKD-10K / Nylon 66 (Color : Black)

UL94 V-2

