



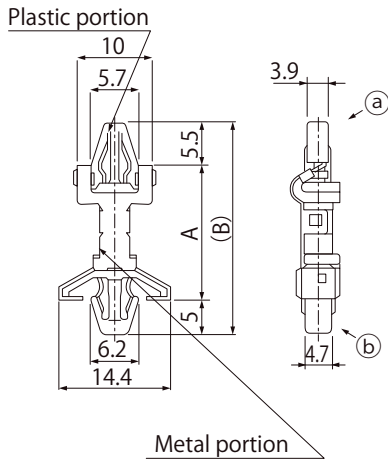
Screw free fixing spacer is combined with EMC grounding function.

Feature

- Grounding at the center of the PC board is easily achieved.
- Suitable for total cost downsizing through high workability and reduction of part numbers.

Material

- Plastic portion / PA66 (Black / UL94V-0)
- Metal portion / Phosphor bronze (Sn plating)



Installation specifications

- (a) : Board thickness / $t = 1.6 \sim 2.0\text{mm}$
Hole diameter / $\phi 4.0^{+0.1}\text{mm}$
- (b) : Board thickness / $t = 1 \sim 2.0\text{mm}$
Hole diameter / $\phi 4.8^{+0.1}\text{mm}$

Part No.	Unit: mm	
	A	(B)
FGS-3S	9.8	20.3
FGS-4S 1	11.4	21.9
FGS-6S	14.4	24.9
FGS-8S	17.7	28.2
FGS-9S	20.0	30.5