

RFID · NFC (13.56MHz)

Thinner and flexible ferrite sheet for metal interference solution for RFID and NFC (13.56MHz).

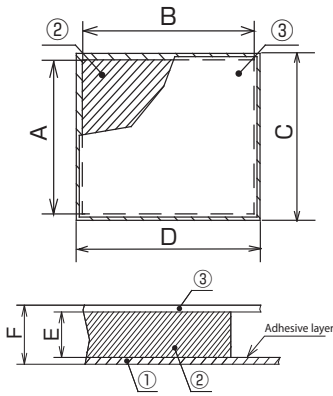
Feature

- Improve the communication performance of RFID reader and tag by suppressing the metal interference.
- Ferrite material in which Q factor has been maximized at 13.56MHz is used for the sheet.
- Sintered material but thin with excellent in flexibility that enables easy design of custom profiles.

Material

- PET with adhesive layer
- Ferrite sheet
- Double-sided adhesive tape

Dimensions



A,B: Soft ferrite
C,D: Profile(PET with adhesive layer)

① PET with an adhesive layer
② Ferrite sheet
③ Double-sided adhesive tape

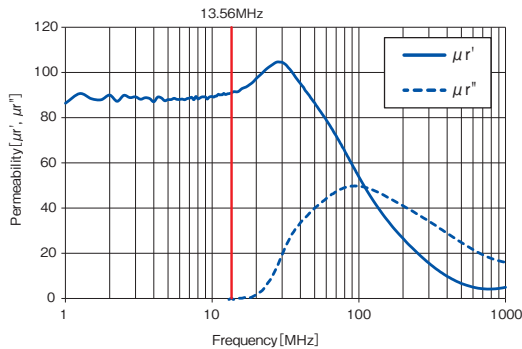
Part No.	A	B	C	D	E	F
FFSX-0.1H-5060T	50	60	51.5	61.5	0.1	0.21
FFSX-0.2H-5060T					0.2	0.31
FFSX-0.3H-5060T					0.3	0.41

Unit : mm

※Custom designs available. Please contact our sales representative for further information.

Properties

Permeability



※The values are measured data for reference, not guaranteed.

Coupling loss between antennas

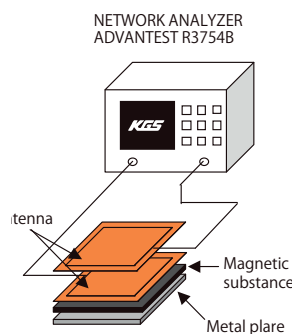
Test specification

Antenna

Size	31×42mm (Inner diameter)
Number of turn	3turns
Gap between antennas	3mm
Gap to metal plate	1mm

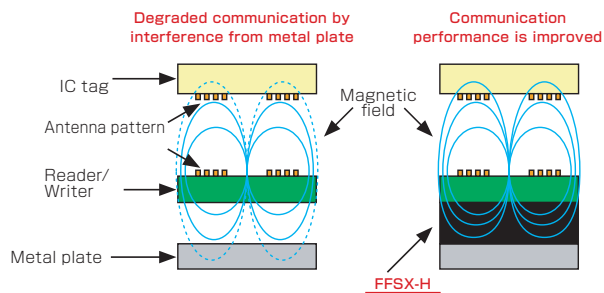
Magnetic substance

Size	50×60mm
Gap to antenna	0mm (Contact)
Thickness	FFSX-0.3H:±0.3mm
	FFSX-0.3:±0.3mm

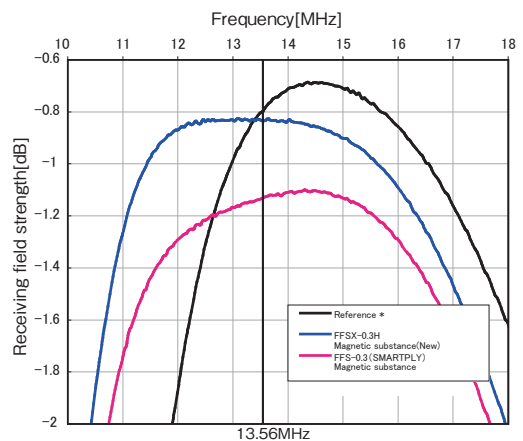


Application

Contactless IC smart card system



Receiving field strength measurement



* Metal plate.No magnetic substance