

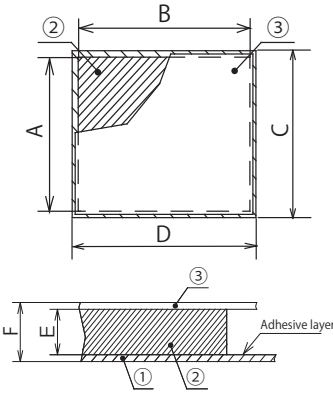
Thinner and flexible ferrite sheet for wireless charging

Feature

- It is higher permeability magnetic sheet which is suitable for magnetic shield and improving performance of wireless charging system according to international standard around 100kHz such as Qi standard.
- Sintered ferrite material with flexibility enables higher drop impact resistance.
- Suitable for thinner design of module. (Total thickness of product: 0.21mm)
- Custom profile is available upon request.

Material

- PET with adhesive layer
- Ferrite sheet
- Double-sided adhesive tape



A, B: Soft ferrite
C, D: Profile (PET with adhesive layer)

① PET with an adhesive layer
② Ferrite sheet
③ Double-sided adhesive tape

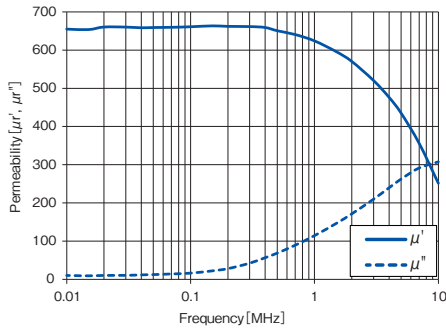
Part No.	A	B	C	D	E	F
FFSW-O.1-5060T	50	60	52	62	0.1	0.21

Unit : mm

※Custom designs available. Please contact our sales representative for further information.

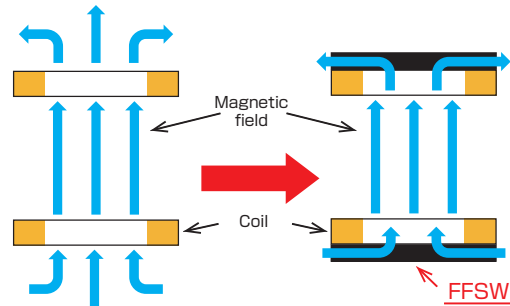
Properties

Permeability



Application

Wireless charging system

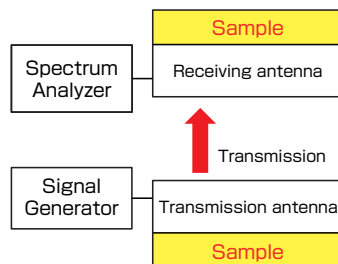


- Magnetic field generated in charge is shield, and do not affect the other elements.
- It is improved magnetic rotation and charging efficiency, too.

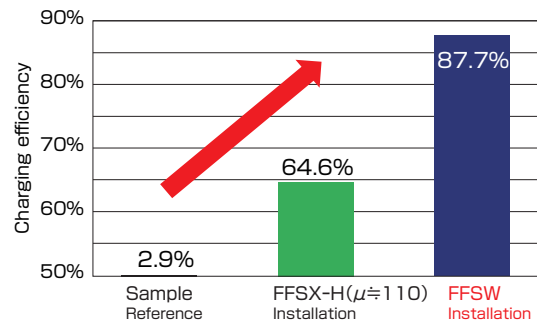
Charging efficiency between antennas.

Test specification

Operating frequency	100kHz
Gap between two antennas	10mm
Antenna size	φ50mm



Measurement results



Charging efficiency is improved !!

※The values are measured data for reference, not guaranteed.