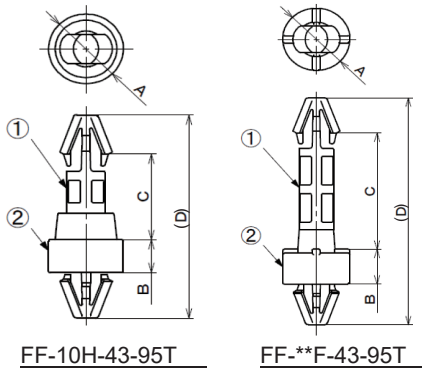




The Fan Fixer is a fixture which reduces the vibrations and noise of cooling fan. It enables to install the fan without screws.

- Resonance and fluttering noise are reduced by damping the vibrations transmitted from the cooling fan.
- A snap structure enables simple one-touch installation. Screws and tools are not necessary.

Specifications



Part No.	A	B	C	(D)	Panel thickness	Mounting hole size	Color
FF-10H-43-95T	φ8	3.8	9.8	23.4	t0.8~1.0	φ4.3±0.1	Black
FF-15F-43-95T		4.5	15.0	29.3	t1.0~1.2		
FF-25F-43-95T		4.5	25.0	39.1	t0.8~1.0		

Material : ①PP (Snap portion and support portion) ②TPS (flexible portion)

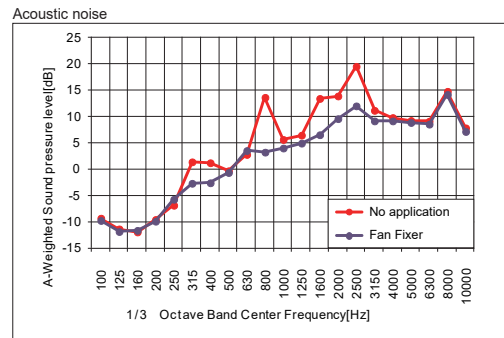
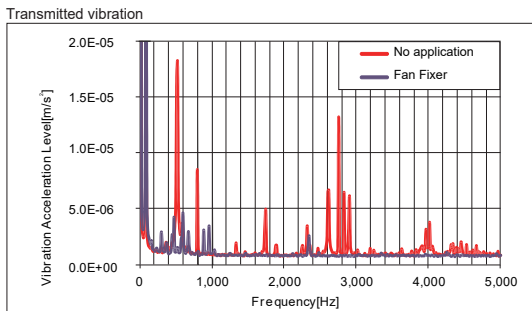
- Recommended fan specifications

Part No.	(mm) Thickness	(mm) Screw hole diameter	Weight(g)
FF-10H-43-95T	t10 ^{+0.2} / _{-0.6}	φ4.3	~40
FF-15F-43-95T	t15 ^{+0.3} / _{-0.5}		
FF-25F-43-95T	t25 ^{+0.3} / _{-0.5}		

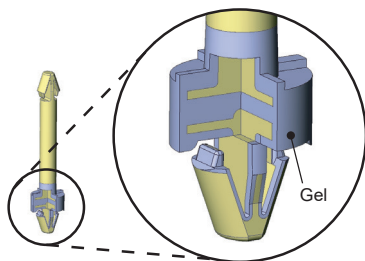
FF-10H-43-95T is dedicated for use with the D05X series made by Nidec Corporation.

Properties

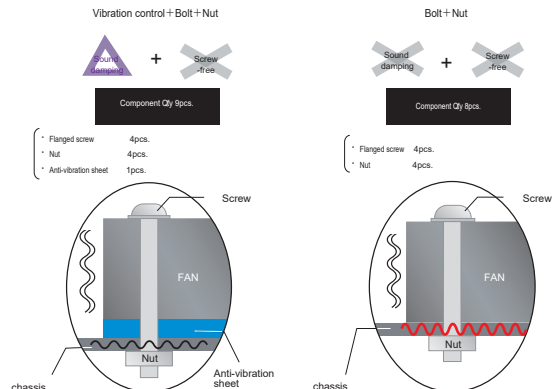
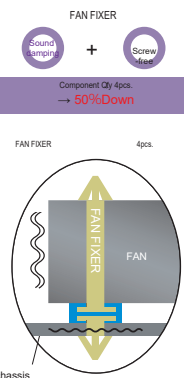
- Example for vibration suppression of vibration and acoustic noise
- Testing condition : Measuring vibration and noise with bladeless fan on chassis.



Structure



KG GEL Sandwich configuration



Please contact our sales department for installation instructions (precautions) before use. Also please confirm precautions described on the beginning page of the brochure.