

Snap-mount clamp with minimum protrusion on panel

Features

- Space-saving due to low protrusion on the underside of PCB.

Material

- Nylon 66 (Color : Natural)

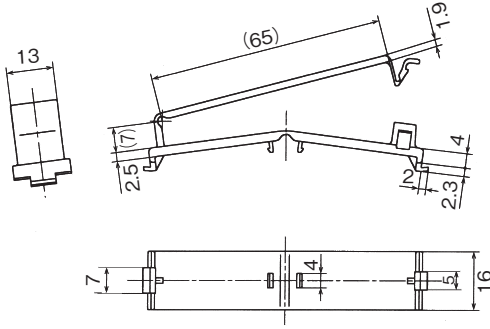
UL94 V-2



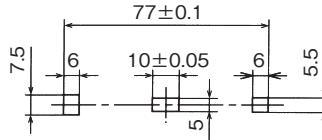
Snap Mounting



Odd-shaped hole



Specification drawing



Part No.	Mounting hole size	Panel thickness	Std. Package
FCT-6010	Refer to Specification drawing	1±0.2	100 pcs.



UL ...UL1565 recognized product

(Unit : mm)