

Snap-mount flat clamp to secure cables directly on panel

Features

- Low profile clamp secures flat cables directly on mounting panels.
- Reusable type, easy removable with no tools required.



Push Type



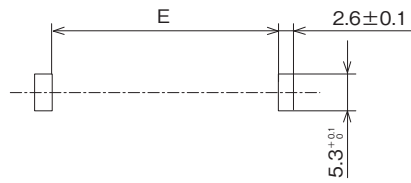
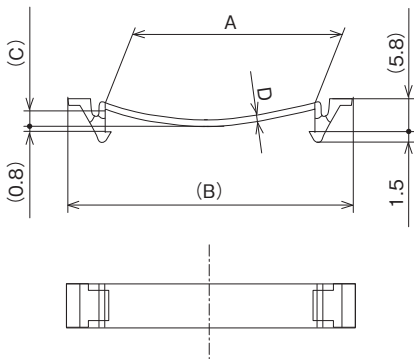
Odd-shaped hole

Material

- Nylon 66 (Color : Natural)

UL94 V-0

Specification drawing



| Part No. | A | (B) | (C) | D | E | Mounting hole size | Panel thickness | Std. Package |
|------------|----|-----|-----|-----|--------|--------------------------------|-----------------|--------------|
| FCR-15 VO | 15 | 27 | 2.9 | 0.8 | 15±0.1 | Refer to Specification drawing | 0.8~1.6 | 100 pcs. |
| FCR-30 VO | 30 | 42 | | 1.0 | 30±0.1 | | | |
| FCR-35 VO | 35 | 47 | | 1.2 | 35±0.1 | | | |
| FCR-45 VO | 45 | 57 | | 1.5 | 45±0.1 | | | |
| FCR-60 VO | 60 | 72 | | 1.0 | 60±0.1 | | | |
| FCR-30L VO | 30 | 42 | 3.0 | 1.0 | 30±0.1 | 1.5~2.5 | | |



UL ···UL1565 recognized product

(Unit : mm)

For Cables

For Flat cables

Removal prevention for connectors

For Optical fibres