

Adhesive-mount locking flat cable clamp

Features

- Easy cable fastening and releasing. Box-structured lock prevents side slippage at fastening.

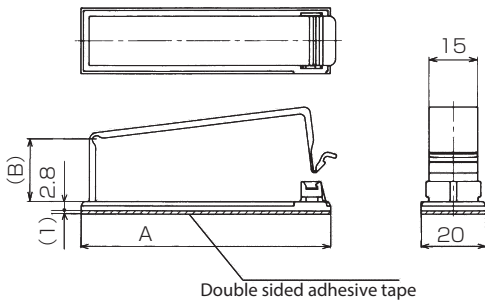
Material

- Nylon 66 (Color : Natural) UL94 V-2



Adhesive tape mounting

※With regard to adhered body which is covered by UL1565, please contact our sales department.



Part No.	A	(B)	Max. width of cable	Max. thickness of cable	Std. Package
FCN-3010-R	45.5	7.0	31.0	6.5	100 pcs.
FCN-3015-R		13.4		13.0	
FCN-6010-R	77.0	7.0	63.0	6.5	
FCN-6015-R		13.4		13.0	
FCN-6020-R		19.1		19.0	

...UL1565 recognized product

(Unit : mm)

For Cables

For Flat cables

Removal prevention for connectors

For Optical fibres