

Elastomer core with arrowhead allows easy installation on enclosures.

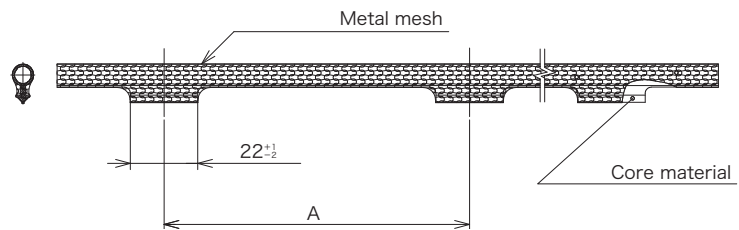
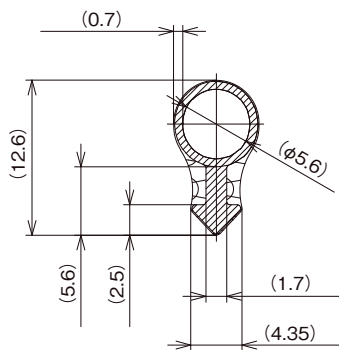
Feature

- Easier installation compared with conventional formed gaskets (rectangular or round).
- Small compression force, the special structure prevents fall-off of the gasket.
- No unbraiding or wire loosening type, allowing cutting to desired length.

Material

- Metal mesh / Nickel-copper alloy (Monel) wire
- Core material / Silicone

Cross-section



Unit: mm

Part No.	A
ETAB-79.5-*****	79.5 ⁺¹ / ₋₂
ETAB-100-*****	100 ⁺¹ / ₋₂

*** indicates overall length and the length between the cut face and the starting point of the arrowhead. (Contact us for the details.)