



PCB card ejector for the 1-mm thick PCB that uses no spring pins

**Features**

- Compact ejector for 1mm thick PCB.
- Quick, snap in installation without using spring pin.

**Material**

■ PPHOX (Black)

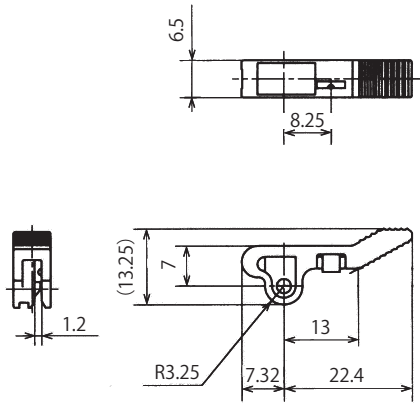
UL94 V-O



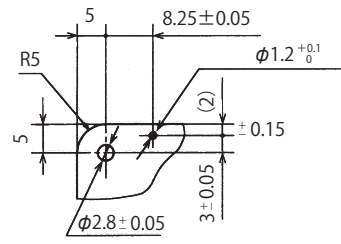
Snap Mounting



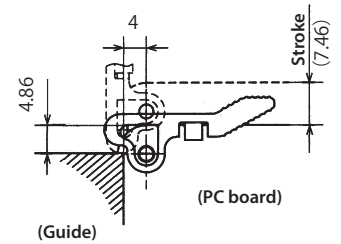
Round hole



**Specification drawing**



Panel thickness : 1± 0.2



(Unit : mm)

Std. Package : 500pcs.