



Edge and slot protection locking cable clamp

Features

- Available for protection of through hole edge.
- Making easier to fix (Refer to how to install).
- Simplified fixing hole (Refer to Assembly drawing).
- Space-saving design so that protruded part is small when fixing.
- UL94 V-0 recognized materials are used.
- Prevent product removal from fitted panel caused by cable load.



Insertion Mounting

Material

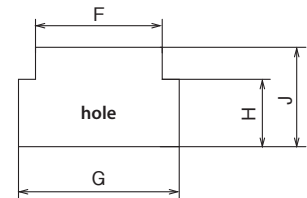
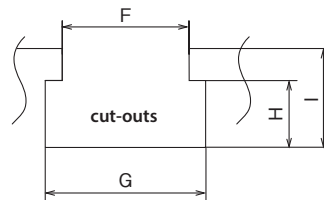
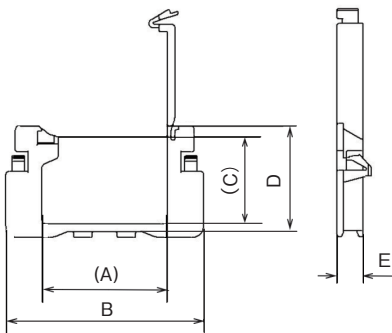
- Nylon 66 (Color : Natural)

UL94 V-0

Specification drawing



new products



(t0.6~2.0mm)
(panel thickness : t0.6~2.0mm)

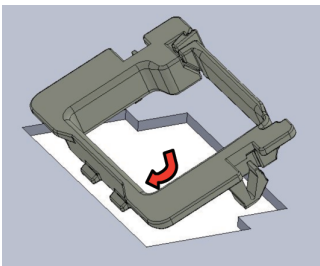
conventional products



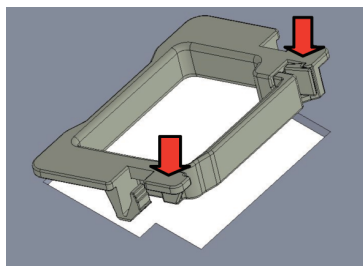
Part No.	(A)	B	(C)	D	E	Fixing hole size				
						F	G	H	I	J
EDS-0305LS-V0	3.7	15.8	5.8	8.8	4.2	10	16.5	3.5	8.5	9.0
EDS-1005LS-V0	10.2	22.3	5.8			16.5	23	3.5		
EDS-2005LS-V0	20.2	32.3	5.8			26.5	33	4.2		
EDS-3005LS-V0	30.2	42.8	5.8			36.5	43.5	4.2		
EDS-4505LS-V0	45.2	57.8	5.7	18.3	4.2	51.5	58.5	4.2	18.5	19.0
EDS-1015LS-V0	10.2	21.8	15.1			14.5	20.5	12.6		
EDS-2015LS-V0	20.2	31.8	15.1			24.5	30.5	12.7		

(Unit : mm)

How to install



STEP.1 Hooked claw on the back of fixing panel



STEP.2 Press the arrow points