

Snap-mount standard cable clamp

Features

- Snapped on PCB

Material

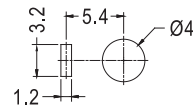
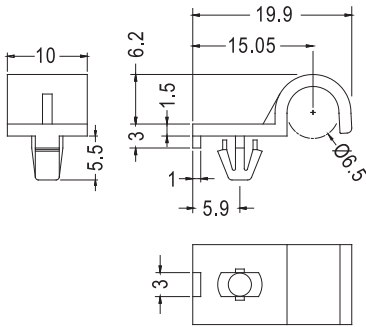
- Nylon 66 (Color: Natural)

UL94 V-2 (V-0*)

* For V0 type, "V0" is added to the end of the part No.
(With regard to lot size and lead time, please contact us.)

Std. Package: 500 pcs.

DMI-6



MOUNTING HOLES

(Unit: mm)

Wiring Clamps

For Cables

For Flat Cables

Removal prevention for connectors

For Optical fibers