

### Snap-mount capacitor holder

#### Features

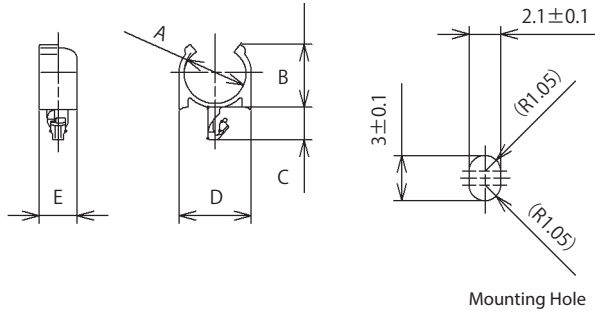
- Because capacitors can be mounted without adhesive, It contributes for reduction of adhesive cost and improvement of workability in the conventional process.
- Capacitor can be mounted from the top of this product.
- The product is mounted onto PC board by means of its plastic snap.

#### Material

- Nylon 66 (Color : Natural)

UL94 V-0

※Because the product is not use for flow soldering process, it is required the masking of plastic snap on the reverse side of PC board.



Part No.	A	B	C	D	E	Diameter accommodation	Mounting Hole	Packaging specification	Panel thickness	Std. Package
CPHL-6.3S-V0	φ6.5	6.7	4.1	7.8	5.0	φ6.3	Refer to Specification drawing	Bulk	1.5~1.7	1000 pcs.
CPHL-8S-V0	φ8.2	8.3	4.3	9.5	5.0	φ8				

(Unit : mm)

For Cables

For Flat cables

Removal prevention for connectors

For Optical fibres