



Snap-mount clamp applicable for thick panles (0.5~4.1 mm)

Features

- Box-structured lock prevents side slippage at fastening.
- Applicable to panel thickness from 0.5mm (L-type) to 4.1mm (H-type).

Material

- Nylon 66 (Color : Grey)

UL94 V-2

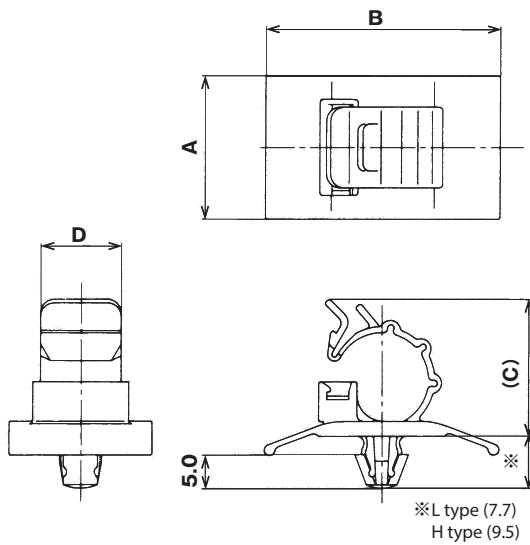


CKN series



For adhesive backed type

Refer to the right page



Part No.	A	B	(C)	D	Max bundle diameter	Mounting hole size	Panel thickness	Std. Package
CKS-05-L	13.8	23.2	12.8	8.5	φ5.4	φ6.4 ^{+0.2}	-L type 0.5~2.3 -H type 2.3~4.1	100 pcs.
CKS-05-H								
CKS-07-L	15.1	25.0	15.1	9.8	φ6.2			
CKS-07-H								
CKS-10-L	17.3	28.4	19.7	12.0	φ9.8			
CKS-10-H								
CKS-13-L	19.3	32.0	25.6	14.0	φ14.4			
CKS-13-H								
CKS-16-L	21.3	35.0	26.2	16.0	φ17.5			
CKS-16-H								
CKS-20-L	23.3	37.0	30.8	18.0	φ20.0			
CKS-20-H								
CKS-26-L	31.4	46.0	40.75	24.0	φ28.0			

...UL1565 recognized product

(Unit : mm)