

Cable clamp with a box lock, for adhesive tape fixation

Features

- Box-structured lock prevents side slippage at fastening.

Material

- Nylon 66 (Color : Grey)

UL94 V-2



Adhesive tape mounting

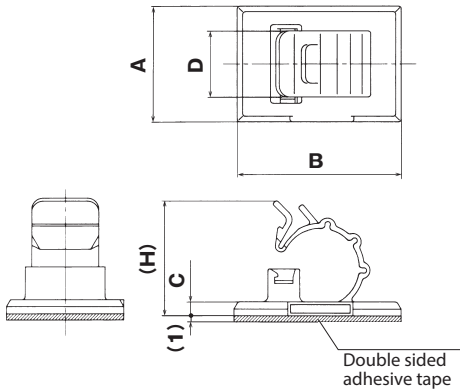
※ With regard to adhered body which is covered by UL1565, please contact our sales department.

CKS series



snap mounting type

Refer to the left page



Part No.	A	B	C	D	(H)	Max bundle diameter	Std. Package
CKN-05-R	20.5	17.5	2.0	8.5	13.4	φ 5.4	100 pcs
CKN-07-R	17.5	25.5	2.2	9.8	15.9	φ 6.2	
CKN-10-R	21.0	30.0	2.5	12.0	20.6	φ 10.0	
CKN-13-R	24.0	30.0	2.5	14.0	26.1	φ 14.4	
CKN-16-R	25.5	36.0	3.0	16.0	27.0	φ 17.4	
CKN-20-R	30.0	40.0	3.0	18.0	31.4	φ 20.0	
CKN-28-R	43.0	56.0	3.5	24.0	41.7	φ 29.0	20 pcs
CKN-38-R	56.0	76.0	4.1	30.0	57.2	φ 37.4	

UL ...UL1565 recognized product

(Unit : mm)