

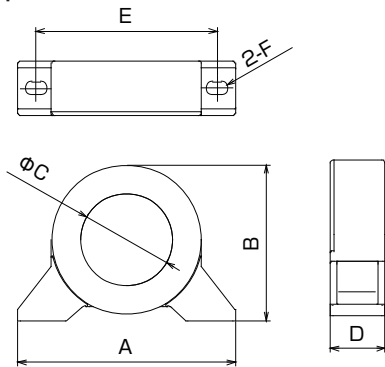
BROAD EFFECT CORE / BREK



High-performance noise suppression core with secure screw fixation

- The product can be securely fixed using screws.
- Effective for suppression of conducted/radiated noise.
- High impedance characteristics decrease the number of cable turns.
- Since the variation in impedance characteristics against temperature is small, stable effect is ensured in wide temperature range.
- Plastic housing provides higher insulation properties.
- The material of the plastic housing is UL94V-0 certified.

Specifications

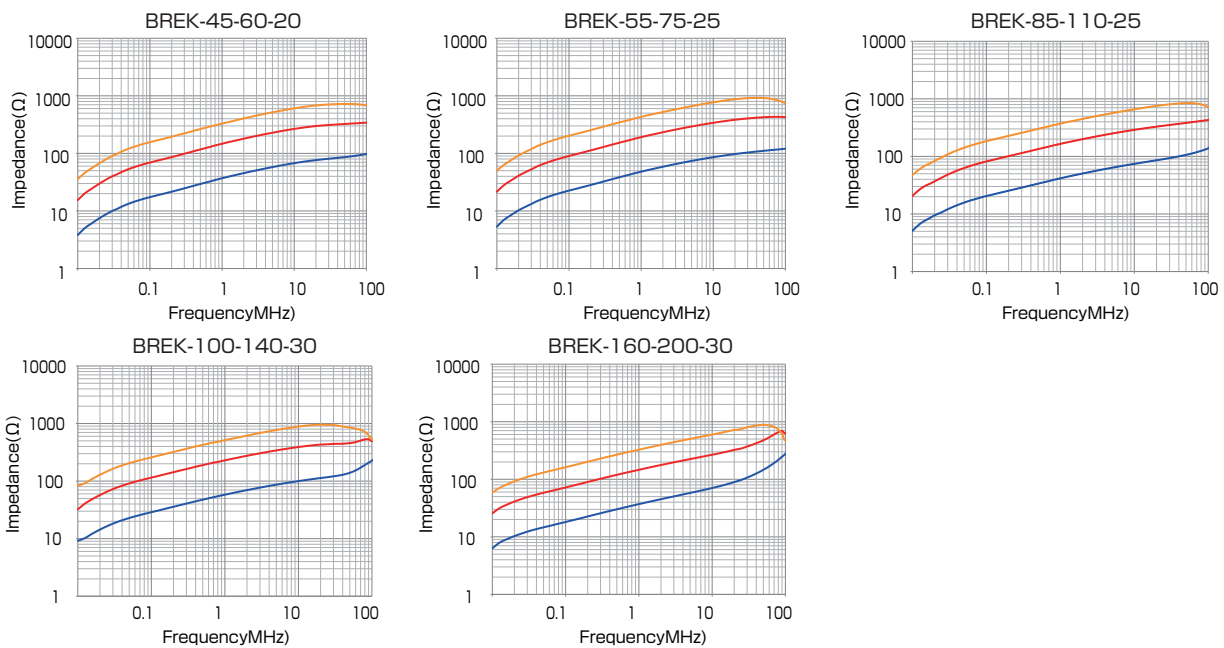


Unit : mm

Part No.	A	B	C	D	E	F (Applicable screw)
BREK-45-60-20	94	67	40	25	80	M5
BREK-55-75-25	120	86	50.6	30	100	M6
BREK-85-110-25	180	133	76.8	30.5	150	M6
BREK-100-140-30	180	154	96.2	35	160	M6
BREK-160-200-30	241	211	155	36	220	M6

Properties

● Impedance vs Frequency characteristic



- The specifications are for reference only, and not a guarantee. Information may change without notice.
- Any reprinting or copying of content in this document is prohibited without our prior consent.

KGS KITAGAWA INDUSTRIES CO.,LTD.

KITAGAWA INDUSTRIES CO.,LTD.
 Tel: 81-587-34-3561 <http://www.kitagawa-ind.com>
KITAGAWA GmbH
 Tel: 49-6104-60009-0 <http://www.kitagawa.de>
KITAGAWA INDUSTRIES(TAIWAN)CO.,LTD.
 Tel: 886-2-2698-8833 <http://www.kgtw.com.tw>

KITAGAWA INDUSTRIES America, Inc.
 Tel: 1-408-971-2055 <http://www.kgs-ind.com>
KITAGAWA ELECTRONICS(SINGAPORE)PTE.LTD.
 Tel: 65-6560-6511 <http://www.kitagawa.com.sg>
KITAGAWA INDUSTRIES (H.K.) LIMITED
 Tel: 852-2612-1161 <http://www.kitagawa.com.hk>

SHANGHAI KITAGAWA INDUSTRIES CO.,LTD.
 Tel: 86-21-5865-2766
KITAGAWA ELECTRONICS(THAILAND)CO.,LTD.
 Tel: 66-35-350-201 <http://www.kitagawa-ind.com/thai/index.html>
KITAGAWA TECHNOLOGY(SHENZHEN)CO.,LTD.
 Tel: 86-0755-2396-3200