

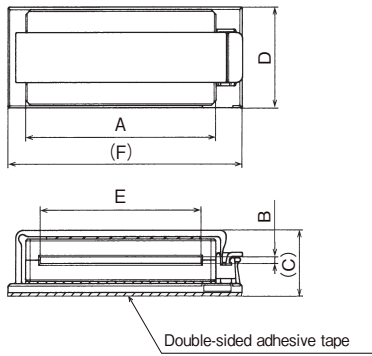
Labor-saving assembly and fixing by combination with plastic clamp

Feature

- Split core type, easy assembly on wired or connected ribbon cables.
- Plastic clamp integrated type allows easy assembly.

Material

- Core / Soft ferrite
- Clamp / Nylon 66 (Light gray / UL94V-0)

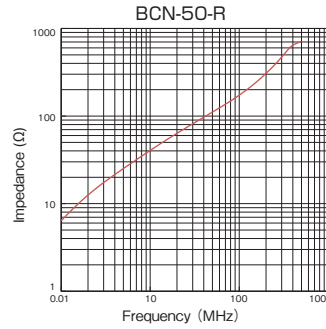
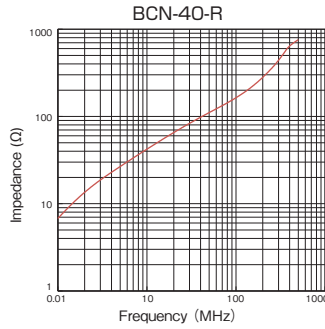
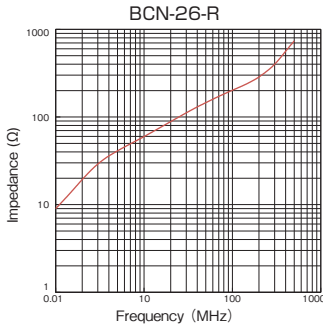


Unit: mm

Part No.	A	B	(C)	D	E	(F)	Impedance* Ω /100MHz (1 turn)
BCN-26-R	45.0	2.0	19.6	30.0	34.0	59.5	≥ 125
BCN-40-R	63.0		19.5		52.0	76.5	≥ 137
BCN-50-R	76.5		64.5		90.7	≥ 142	

*Contact us for the measurement conditions.

Impedance vs frequency



High-frequency cores

Split ferrite clamp

Non split type