



Adjustable bundle diameter

Adjustable locking clamp

Features

- Easily releases cables. Bundle diameter is adjustable in wide range.

Material

- Polypropylene (Color: Grey)



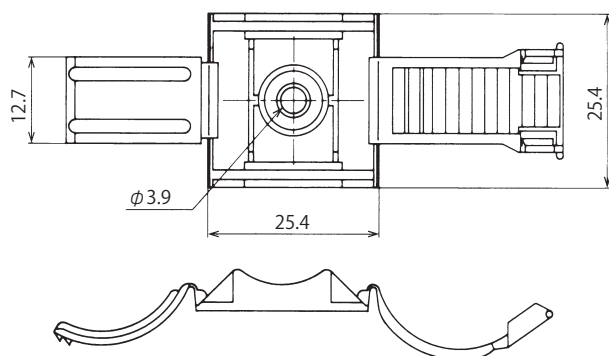
Adhesive tape mounting



Screw mounting

(Applicable screw: Nominal diameter 3.5mm Small flat head screw)

※ Specifications are described in the table below.



Part No.	Mounting method	Bundle diameter	Std. Package
ARC.68-A-14	Adhesive tape	φ 4.8~17.3	100 pcs.
ARC.68-S6-14	Screw		

(Unit : mm)