



Adjustable, snap-mount clamp that prevents power cord from unplugging

Features

- Prevents power sockets from being removed from inlets.
- Socket holder is adjustable by using the lever.



Snap Mounting



Round hole

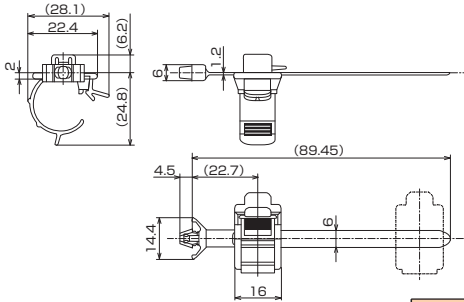
Material

- Nylon 66 (Color : Black)

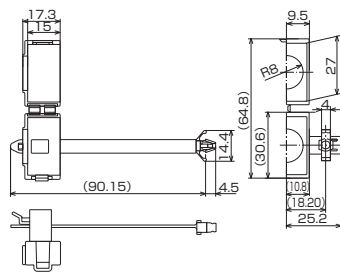
UL94 V-2 : ACCD86AS

UL94 V-0 : ACCD107AS

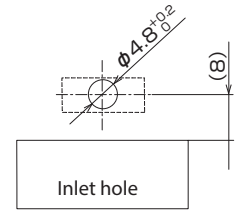
ACCD86AS



ACCD107AS



Specification drawing



Part No.	Bundle diameter	Panel thickness	Compatible plug	Compatible boot diameter	Std. Package
ACCD86AS	$\phi 11 \sim 13.5$	0.8~2.0	—	—	50 pcs.
ACCD107AS	—	0.5~2.3	26×18.5	$\phi 16$	100 pcs.

(Unit : mm)

For Cables

For Flat cables

Removal prevention for connectors

For Optical fibres