

Adjustable locking clamp

Features

- Bundle diameter is adjustable to cables. Easy fastening clamp.

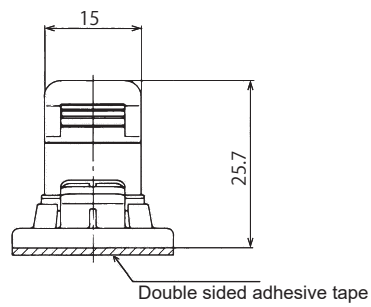
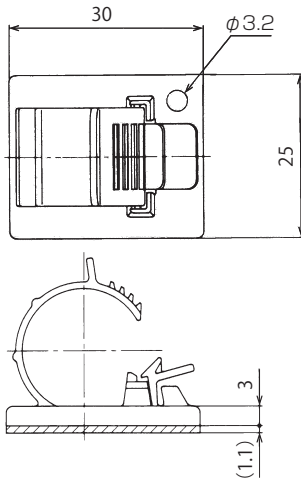


Adhesive tape mounting

Material

- Body / Nylon 66 (Color : Black)

UL94 V-2



Part No.	Bundle diameter	Std. Package
AC-13-R	$\phi 12 \sim 13.5$	100 pcs.

(Unit : mm)

For Cables

For Flat Cables

Removal prevention for
connectors

For Optical fibers